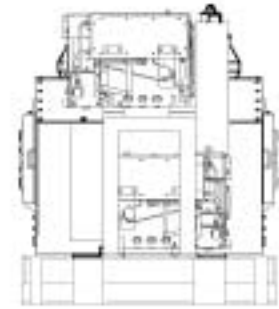
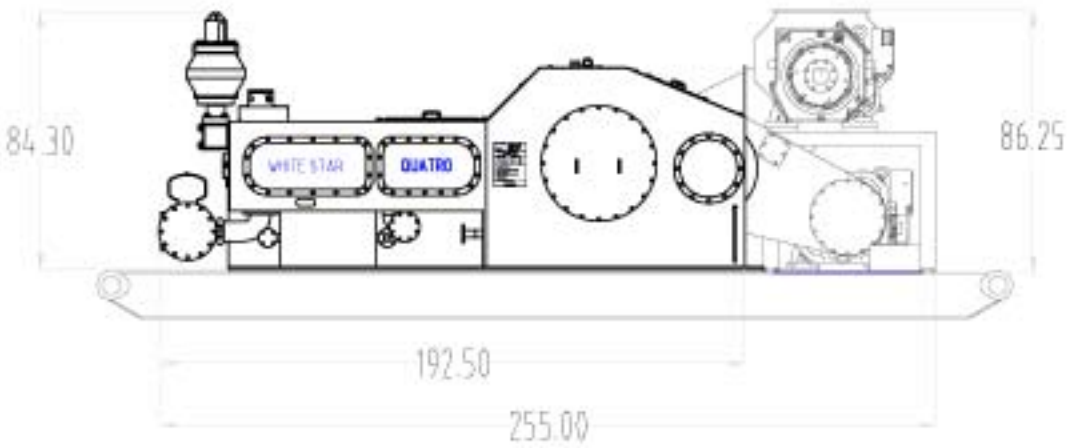
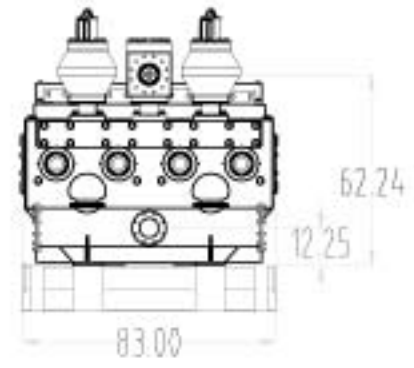
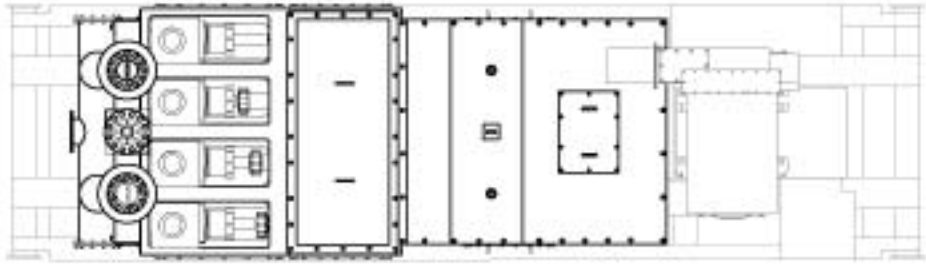


ENGINE NUMBER  
9772-1600-2GE752-R



TOTAL WEIGHT UNITIZED: 78,000 lbs

|  |        |        |          |                            |                     |                     |          |
|--|--------|--------|----------|----------------------------|---------------------|---------------------|----------|
| TOLERANCE UNLESS SPECIFIED   |        |        |          | <b>WHITE STAR PUMP CO.</b> |                     |                     |          |
| ALL DIMENSIONS IN INCHES.  |        |        |          | DATE                       | ISSUE               | MODEL               | REV. #   |
| .125   | ±.0005 | ±.0005 | FRACTION | ±.0005                     | BREAK EDGES .02     | QUATRO 1600         | ENGINE # |
| .001   | ±.0005 | ±.0005 | DECIMAL  | ±.0005                     | SEE DRAWING FOR MAX | ENGINE #            | DATE     |
| .001   | ±.0005 | ±.0005 | ROUND    | .02                        | CONC.               | OTHER DRIVEN LAYOUT | DATE     |
| <small>THIS DRAWING IS THE PROPERTY OF WHITE STAR PUMP CO. IT IS TO BE USED ONLY FOR THE PURPOSES SPECIFIED AND IS NOT TO BE REPRODUCED OR TRANSMITTED IN ANY FORM OR BY ANY MEANS, ELECTRONIC OR MECHANICAL, INCLUDING PHOTOCOPYING, RECORDING, OR BY ANY INFORMATION STORAGE AND RETRIEVAL SYSTEM. WITHOUT THE WRITTEN PERMISSION OF WHITE STAR PUMP CO.</small> |        |        |          | DATE                       | ISSUE               | MODEL               | REV. #   |
|  |        |        |          | 10/30/07                   | 9772-1600-2GE752-R  |                     | 5        |